



COUCHES AND TABLES JORDAN

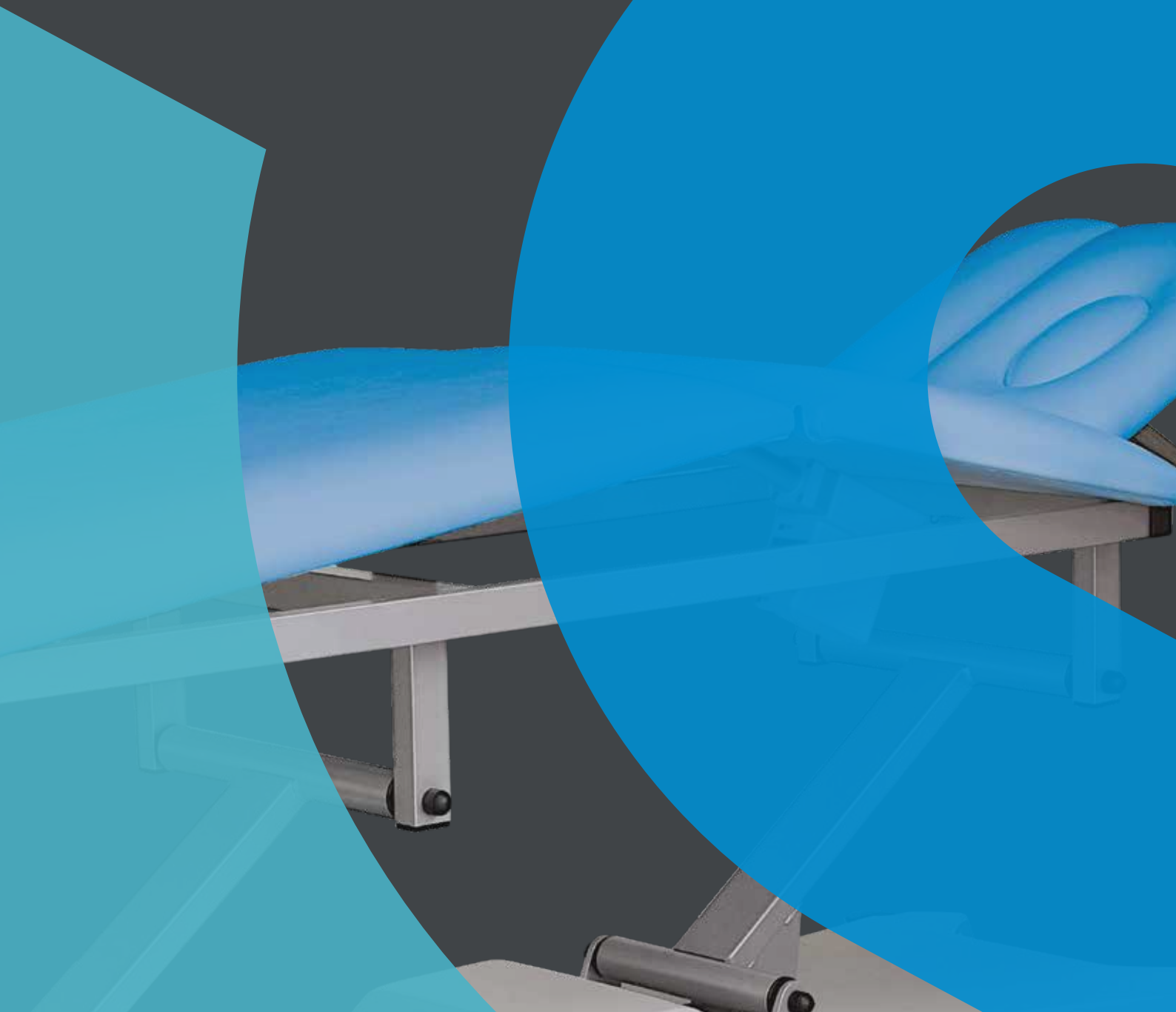
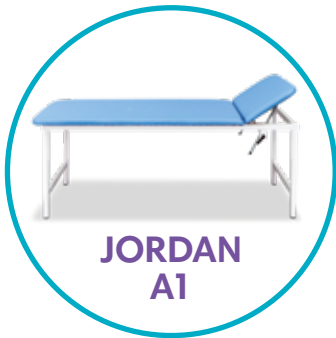


Table of contents

page

JORDAN physiotherapeutic couch A line



4/5

JORDAN physiotherapeutic couch D line



6/7

JORDAN physiotherapeutic couch F line



8/9

JORDAN physiotherapeutic couch G line



10/11

JORDAN physiotherapeutic couch E line



12/13

JORDAN hospital couch

page



14/15

JORDAN transfusion couch



16/17

JORDAN gynecologic couch H line



18/19

JORDAN wood



20/21

Optional accessories for JORDAN couches

22

Colours chart for JORDAN couches

23

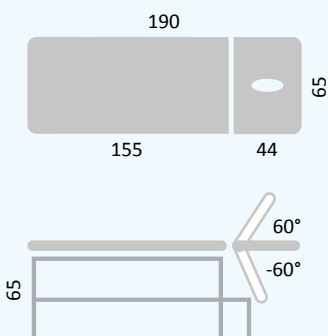
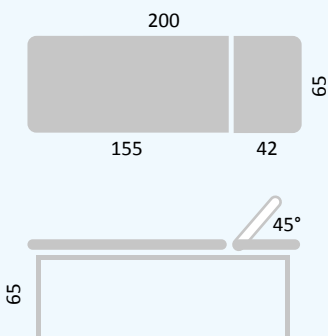
JORDAN physiotherapeutic couch, A line

JORDAN A line – actuator-free couches with fixed height.

All model of this line are made at a standard height of 65 cm, but you may change this fixed height in your purchase order. Simple but solid structure guarantees high stability. Leveling screws can compensate for floor unevenness. The headrest can be adjusted either by a system of A1 levers or by an A3.

It is one of the most simply constructed couches on the market.. It has a broad field of application as an examination table in medical practitioner and specialist doctor surgeries, as massage tables or relaxation couches in spas, welfare institutions and sport centres.

JORDAN A1

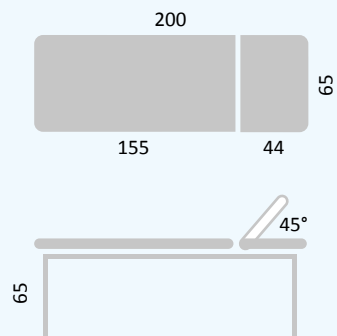


JORDAN A3





natural version



**JORDAN
A wood**



mahogany version with shelf

TECHNICAL PARAMETERS

Basic design of the JORDAN A line of couches	A1	A3	A wood
Cat. no.	1001.100	1001.030	1001.095
dimensions, length x width (cm)	195 x 65	195 x 65	200 x 65
fixed height, alteration at no extra charge (cm)	65	65	65
number of cushioned segments	2	2	2
mouth opening in bolster with cover	•	yes	-
head end adjustable by Rostomat system	yes	-	yes
head end adjustable by gas strut	-	yes	-

• extra orders possible - not available

OPTIONAL ACCESSORIES:

Cat. no.	name	A1	A3	A wood
1901.011	mouth opening in bolster with cover	•	x	-
1901.013	extended bed width over 80 cm inclusive	•	•	-
1901.038	castors - diameter 70 mm	•	•	-
1901.040	storage shelf	•	•	-
1901.072	storage shelf	-	-	•
1901.014	sanitary paper holder	•	•	-

x basic design • extra orders possible - not available

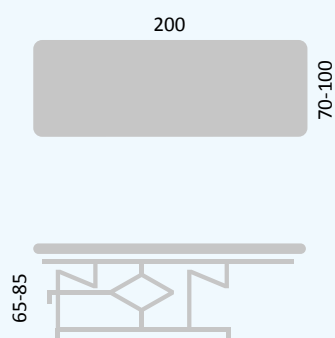
JORDAN physiotherapeutic couch, D line

JORDAN D line – actuator-free couches with manual height adjustment using a lever mechanism.

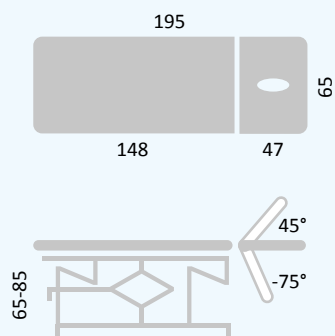
The height of all the models can be adjusted manually using a built-in lever by the patient's feet. The adjustment range is from 65 to 85 cm. Base width of 100 cm for model D1 can be changed on request at no extra cost in the range of 70 to 100 cm.

These couches are recommended in particular for places where the service staff rotates, for example different massagers working with the same bed. This bed can be adjusted to individu-

JORDAN D1

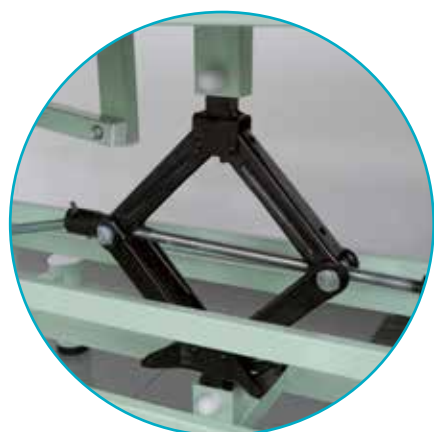


JORDAN D2



al height. Depending on your needs you may choose from three basic models as well as from a number of accessories.

This line is recommended for massages in spas, physiotherapy or sport centres, where it is used by more than one massager.



lever mechanism



castors – diameter 100 mm



3-part head bolster

TECHNICAL PARAMETERS

Basic design of the JORDAN D line of couches	D1	D2
Cat. no.	1004.010	1004.020
dimensions, length x width (cm)	195 x 70 - 100 as required	195 x 65
manually adjustable height (cm)	65 - 85	65 - 85
number of cushioned segments	1	2
mouth opening in bolster with cover	•	yes
head end adjustable by gas strut	-	yes

• extra orders possible - not available

OPTIONAL ACCESSORIES:

Cat. no.	name	D1	D2
1901.001	castors - diameter 70 mm	•	•
1901.002	castors - diameter 100 mm	•	•
1901.003	3-part head bolster	-	•
1901.011	mouth opening with cover	•	x
1901.013	extended bed width over 80 cm inclusive	x	•
1901.014	sanitary paper holder	•	•
1901.018	additional folding rests along the central part of the couch	•	•

x basic design • extra orders possible - not available

JORDAN physiotherapeutic couch, F line

JORDAN F line - single-actuator couches with a stable construction and electrically adjustable height.

The F line offers the basic model of a professional couch in a elegant design. The structure is stable in all therapeutic positions and heights with a lifting range from 50 to 105 cm with a patient lying on the couch. The lower position enables disabled and older people easy access to the couch. The couch positions can be easily and quietly adjusted during therapy. This product line has a broad area of application. You can also choose the FACE construction with a lifting range from 53 to 93 cm.

Beds can be used for examinations, massages, physiotherapy. In addition, they can be used for simple surgical procedures. You can customize your bed to meet your needs by selecting from a broad portfolio of accessories.

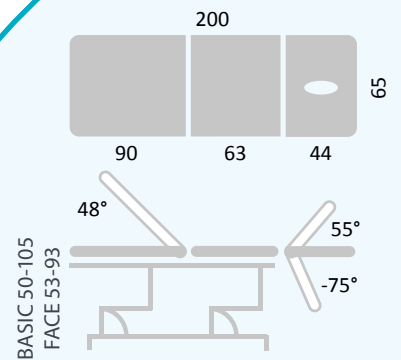


TECHNICAL PARAMETERS

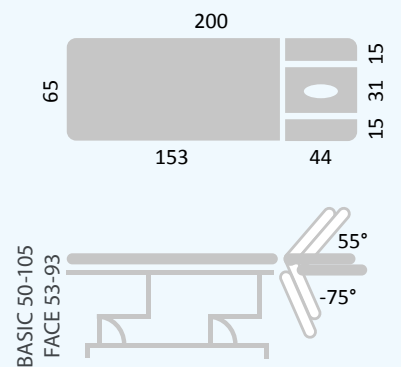
Basic design of the JORDAN F line of couches	F2e	F3e	F4e
Cat. no.	1006.021	1006.031	1006.041
dimensions, length x width (cm)	200 x 65	200 x 65	200 x 65
number of cushioned segments	2	3	4
3-part head bolster	-	-	yes
mouth opening in bolster with cover	yes	yes	yes
head end adjustable by gas strut	yes	yes	yes
leg position adjustable by gas strut	-	yes	-
electric height adjustment BASIC construction (cm)	50 - 105	50 - 105	50 - 105
electric height adjustment FACE construction (cm)	53 - 93	53 - 93	53 - 93
manually adjustable height	yes	yes	yes



**JORDAN
F3e**



**JORDAN
F4e**



OPTIONAL ACCESSORIES:

Cat. no.	name	F2e	F3e	F4e
1901.001	castors - diameter 70 mm	•	•	•
1901.002	castors - diameter 100 mm - only with BASIC construction (not possible with FACE construction)	•	•	•
1901.006	conical narrowing at the foot end	•	•	•
1901.007	conical narrowing at the head end	•	•	•
1901.008	electric foot control unit	•	•	•
1901.009	RAL electric built-in control unit	•	•	•
1901.013	extended bed width over 80 cm inclusive	•	•	•
1901.014	sanitary paper holder behind head end	•	•	•
1901.018	additional folding rests along the central part of the couch	•	•	•
1901.049	construction modification for Trendelenburg position	•	•	•
1901.050	safety switch-off cabinet	•	•	•

• extra orders possible - not available

JORDAN physiotherapeutic couch, G line

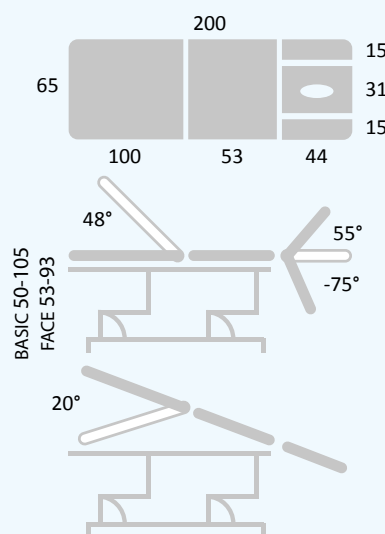
JORDAN G line – double-actuator couches of stable construction whose height can be adjusted and backrest altered to the drainage position electrically.



design
FACE



**JORDAN
G5e**



TECHNICAL PARAMETERS

Basic design of the JORDAN G line of couches	G5e	G6 plus
Cat. no.	1007.051	1007.061
dimensions, length x width (cm)	200 x 65	205 x 65
number of cushioned segments	5	6
3-part head bolster	yes	yes
mouth opening in bolster with cover	yes	yes
head end adjustable by gas strut	yes	yes
drainage position adjustable by actuator	yes	yes
leg position adjustable by gas strut	yes	yes
electric height adjustment BASIC construction (cm)	50 - 105	50 - 100
electric height adjustment FACE construction (cm)	53 - 93	53 - 93
manually adjustable height	yes	yes

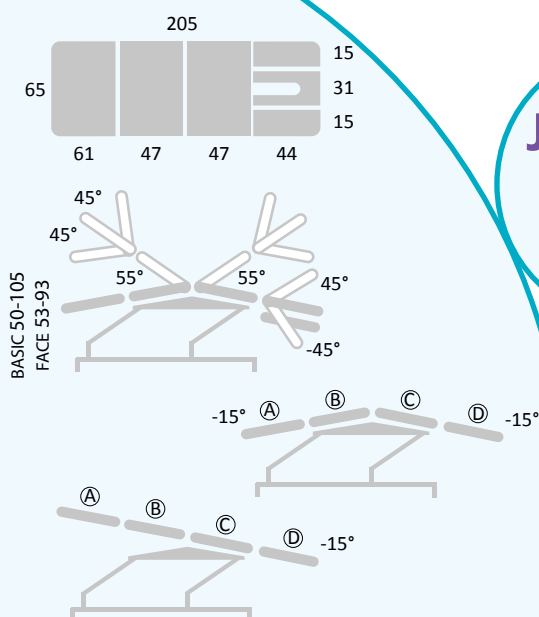
The G line offers a higher standard of professional couches with an elegant design. The construction is stable in all therapeutic positions and heights with a lifting range from 50 to 105 cm (BASIC construction) 53 - 93 cm (FACE construction) even with the patient lying on the couch. The lower position enables disabled and older people easy access to the couch.

This product line is equipped with a second actuator for adjusting the bed to the drainage position for special physiotherapy. Bed positions can be easily and silently adjusted during therapy.

This product line has a broad area of application. The couches can be used for examinations, massages; they are highly suitable physiotherapeutic treatment for which they are specially designed. In addition they can be used for simple surgical procedures.



JORDAN G6 plus



design FACE

OPTIONAL ACCESSORIES:

Cat. no.	name	G5e	G6 plus
1901.001	castors - diameter 70 mm	•	•
1901.002	castors - diameter 100 mm - only with BASIC construction (not possible with FACE construction)	•	-
1901.008	electric foot control unit	•	•
1901.009	RAL electric built-in control unit	•	•
1901.013	extended bed width over 80 cm inclusive	•	-
1901.014	sanitary paper holder behind head end	•	•
1901.018	additional folding rests along the central part of the couch	•	-
1901.050	safety switch-off cabinet	•	•

• extra orders possible - not available

JORDAN physiotherapeutic couch, E line

Single-actuator couch with electric height adjustment, specially designed for the Vojta method.

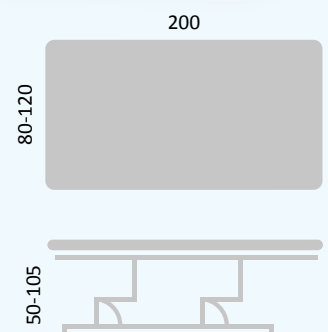
The basic design for Vojta method offers a single-actuator bed with electric height adjustment. The construction is stable in all therapeutic positions and heights with a lifting range from 50 to 105 cm even with the patient lying on the bed.

JORDAN E1e LOW the minimum height is 37 cm. Stroke is then in the range of 37 to 94 cm. The standard bed width is 100 cm, but you can extend it from 80 to 120 cm.

Beds are used in particular in welfare centres for children, physiotherapeutic centres specializing in the Vojta method as well as in households for home exercises with child patients.



JORDAN
E1e



TECHNICAL PARAMETERS

Basic design of the JORDAN E line of couches	E1e	E1e LOW
Cat. no.	1005.011	1005.013
dimensions, length x standard width (width as required 80 - 120 cm)	200 x 100	200 x 100
number of cushioned segments	1	1
electric height adjustment (cm)	50 - 105	37 - 94
manually adjustable height	yes	yes



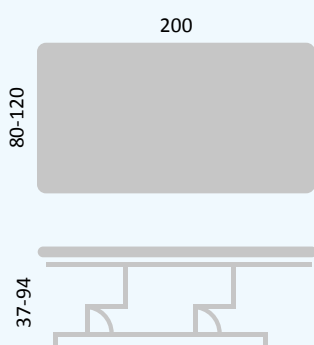
manually adjustable height



castors - diameter 100 mm



electric foot control unit



**JORDAN
Ele
LOW**

OPTIONAL ACCESSORIES:

Cat. no.	name	Ele	Ele LOW
1901.001	castors - diameter 70 mm	•	•
1901.002	castors - diameter 100 mm	•	•
1901.011	mouth opening with cover	•	•
1901.008	electric foot control unit	•	•
1901.009	RAL electric built-in control unit	•	-
1901.014	sanitary paper holder behind head end	•	•
1901.050	safety switch-off cabinet	•	•

• extra orders possible - not available

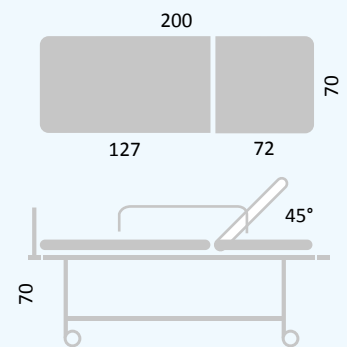
JORDAN hospital couches

JORDAN A transport

Acutator-free transport couch (stretcher) with a fixed bed height.
Suitable for transport of patients.



**JORDAN
A
transport**

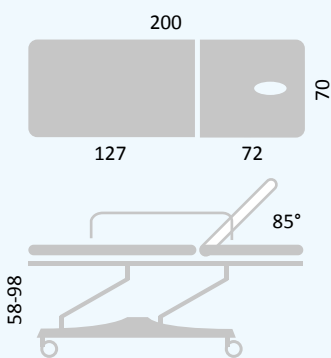


TECHNICAL PARAMETERS

Basic design of the JORDAN hospital couches	A transport	A2h transport
Cat. no.	1001.050	1001.060
dimensions, length x width (cm)	200 x 70	200 x 70
external length x clearance width	207 x 77	207 x 77
number of cushioned segments	2	2
height adjustment lever hydraulic foot (cm)	-	58 - 98
fixed height, alteration at no extra charge (cm)	70	-
backrest adjustable by gas strut	yes	yes
ø 125 mm castors with possibility of blocking the left front	yes	yes
bumper castors - diameter 70 mm	yes	yes
foldable side bars	yes	yes

JORDAN A2h transport

Transport chair with two-part adjustable hydraulic foot lever.
Suitable for hospitals to transport patients.



**JORDAN
A2h
transport**

OPTIONAL ACCESSORIES:

Cat. no.	name	A transport	A2h transport
1901.014	sanitary paper holder behind head end	•	•
1901.025	infusion stand and stand holder	•	•
1901.087	ø 150 mm castors with central brake	-	•
1901.003	storage wire basket	•	-
1901.049	construction modification for Trendelenburg position	•	•
1901.039	cylinder holder	•	•

• extra orders possible - not available

JORDAN transfusion couch

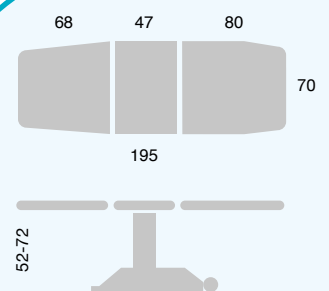
JORDAN T3

Single-actuator transfusion couch with electric height adjustment.



manual control of electric motors

**JORDAN
T3e**

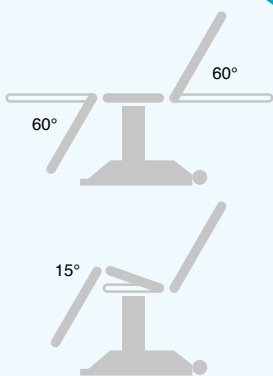


TECHNICAL PARAMETERS

Basic design of the JORDAN transfusion couch	T3
Cat. no.	1020.031
dimensions, length x width (cm)	195 x 70
number of cushioned segments	3
electric height adjustment (cm)	52 - 72
manually adjustable height	yes
backrest adjustable by actuator	yes
seating part adjustable by actuator from 0 ° to +15 °	yes
leg position adjustable by actuator	yes
removable arm rests	yes
two rear castors for easy handling of the couch without the patient	yes



ø 50 mm castors with brake
optional accessories



OPTIONAL ACCESSORIES:

Cat. no.	name	T3
1901.045	foot control of the electric motor 1 pc / to choose from: control of the back part, seat part or height part /	•
1901.014	sanitary paper holder behind head end	•
1901.025	infusion stand and stand holder	•
1901.046	auxiliary footstand	•
1901.089	ø 50 mm castors with brake	•

• extra orders possible - not available

JORDAN gynecologic couch, H line

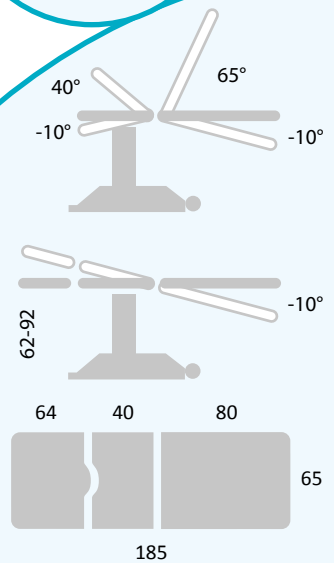
JORDAN H23e - electrically operated gynecologic chair combined with coach.

Height positioning can be carried out even at full loading of the table in range 62 cm – 92 cm with the use of a manual or foot (extra charge) operated electric motor control. The seat tilt setting is electric in range from -10° to 40°. Adjustable removable handles are located on both sides of the seating part. A sanitary paper rack is attached to the backrest. The backrest tilt setting is also electrically controlled in range from -10° to 65°.

In basic version, the chair is supplied with chromed footstalls. For extra charge it is possible to supply calf supports of washable foam polyurethane with a special joint by means of which the supports can be tilted and fixed according to requirements. A stainless steel vessel is located under the seat. When the vessel is removed, it is possible to attach third part of coach (for extra charge) for lying position of a patient. The chair can be equipped with a tilting step for comfortable seating (for extra charge).



**JORDAN
H23e**



removable foot segment

TECHNICAL PARAMETERS

	H23e	H3e uni
Basic design of the JORDAN H		
Cat. no.	1008.032	1008.031
dimensions, length x width (cm)	185 x 65	200 x 65
electric height adjustment (cm)	62 - 92	54 - 95
electrically adjustable seating and backrest parts	yes	yes
electric motor manual control	yes	yes
removable foot segment	yes	-
chromed footstalls	yes	yes
sanitary bowl	yes	yes
paper rack	yes	yes
removable handles	yes	-
adjustable head support	yes	yes
Trendelenburg position	yes	-
two rear castors for easy handling of the couch without the patient	yes	-

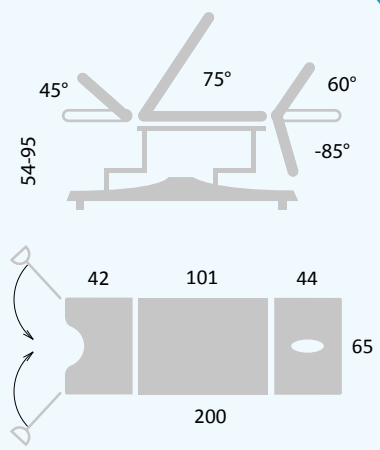
JORDAN H3e uni - universal coach combined with gynecologic chair.

Coach with electrically controlled height adjustment from 54 cm to 95 cm in combination with a gynecologic chair, suitable for gynecological as well as urological surgeries. Height positioning can be carried out even at full loading with the use of a manual or foot operated (extra charge) or structurally operated (for extra charge) electric motor control. Backrest tilt setting is mechanical and enables easy adjustment from both sides in range from 0° to 75°. Sanitary paper rack is attached to the backrest. The seat is mechanically adjustable in range from 0° to 45° with the use of a gas spring. In basic version, the table is supplied with chromed footstalls. For extra charge it is possible to supply calf supports of washable foam polyurethane with a special joint by means of which the supports can be tilted and fixed according to requirements. A stainless steel vessel is located under the seat. For extra charge it is possible to equip the table with wheels.

**JORDAN
H3e uni**



design
FACE



OPTIONAL ACCESSORIES:

Cat. no.	name	H23e	H3e uni
1901.001	ø 70 mm castors	-	•
1901.035	calf supports with joint	•	•
1901.008	foot operated electric control 1 pc on choice (backrest, seat or height adjustment control)	•	-
1901.046	auxiliary footstand	•	-
1901.054	lamp with cold light	•	•

• extra orders possible - not available

JORDAN wood

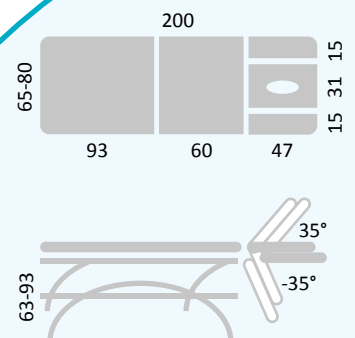
Our professional model JORDAN HENRY is made of ashtree wood.

Beside his technical details, JORDAN HENRY distinguishes by its beautiful design. Our top model is produced in traditional technics of joiner's handicraft in cooperation with masseurs and therapists and guarantees long life even at strongest demands. Wood as base material especially for massage tables offers many advantages:

It does not absorb any rays and creates a feeling of comfort for the customer due to its exceptional look. Best imitation leather materials and a 4 cm thick layer guarantee an optimal comfort.



**JORDAN
HENRY**



TECHNICAL PARAMETERS

	HENRY	MARY
Basic design of the JORDAN wood		
Cat. no.	1800.009	1800.019
dimensions, length x width (cm)	200 x 65-80	206 x 70-80
electric height adjustment (cm)	63 - 93	65 - 93
3-part head bolster	yes	yes
thickness of imitation leather (cm)	4	6
Weight (kg)	80	80

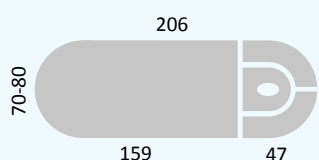
Elegance, highest lying comfort and stability combined in one massage table has just one name: JORDAN MARY.

Beside his technical details, JORDAN HENRY distinguishes by its beautiful design. Our top model is produced in traditional technics of joiner's handicraft in cooperation with masseurs and therapists and guarantees long life even at strongest demands. Wood as base material especially for massage tables offers many advantages:

It does not absorb any rays and creates a feeling of comfort for the customer due to its exceptional look. Best imitation leather materials and a 4 cm thick layer guarantee an optimal comfort.



**JORDAN
MARY**



OPTIONAL ACCESSORIES:

Cat. no.	name	HENRY	MARY
1901.064	second foot pedal	•	•
1901.066	thickness of imitation leather 6 cm	•	-

• extra orders possible - not available

Optional accessories for JORDAN couches



castors
diameter 70 mm



castors
diameter 100 mm



manually adjustable
height



electric foot control
unit



castor with brake



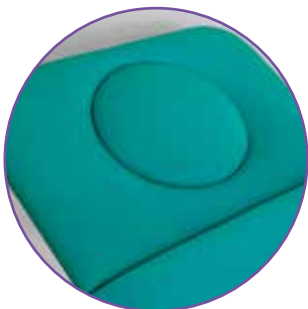
safety switch-off
cabinet



electric built-in control
unit



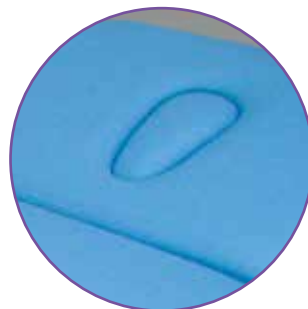
sanitary paper holder



Options of mouth open-
ings with cover



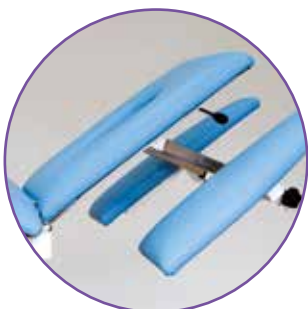
Options of mouth open-
ings with cover



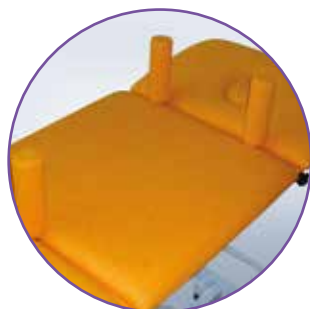
Options of mouth open-
ings with cover



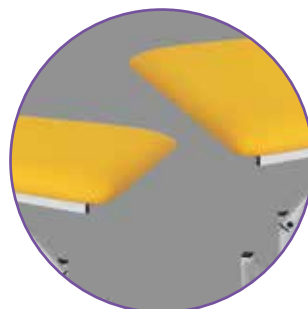
Options of mouth open-
ings with cover



3-part head bolster



fixation pins - shoulder,
between legs



extended bed width



conical narrowing



additional folding rests



infusion stand



foldable side bars



Rostomat system

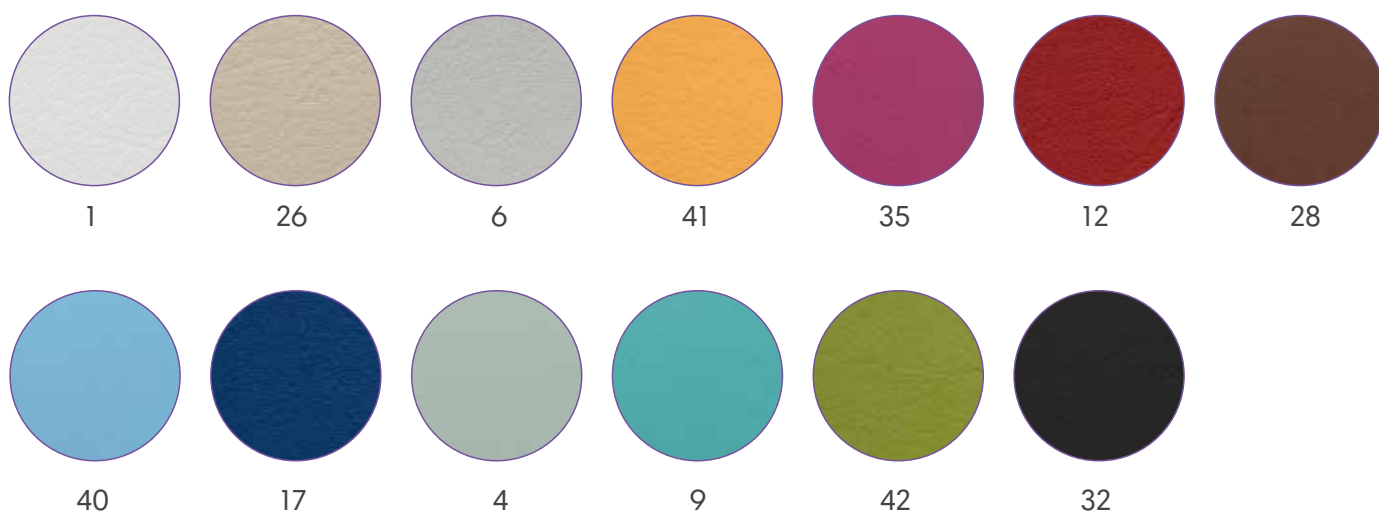
Colours chart for JORDAN couches

Choose the colour which will best suit your workplace because colours have the power to affect your moods and feelings.

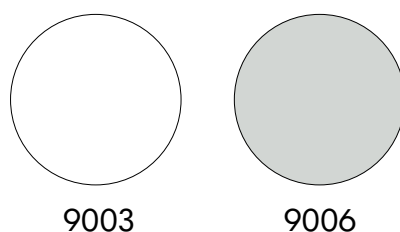
Opt for the yellow of the sunlight, brighten up your office with a sky-blue table; let the green upholstery enhance the peaceful atmosphere or relax by a pure white table.

Let your imagination decide.

Leatherette upholstery sampler



Construction frame RAL colour sampler



The pictures, text, and colours in the catalogue are approximate and are not binding.
The products can be changed without prior notice.



RESI Třeboň spol. s r. o.
Novohradská 1153,
379 01 Třeboň, Czech Republic
T +420 384 724 292 www.resi.cz